

# Power M2

Outside door  
"PUSH-PULL<sup>PT</sup>" Technology



The DYNACO Power M2 is specifically designed for medium sized heavy duty operations in exterior environments.

The DYNACO Power M2 protects your environments against drafts, humidity, dust and dirt. Our door opens and closes fast, improves your traffic flows and provides employee comfort, environmental control and energy savings. 100 % self repairable, the DYNACO Power M2 will automatically reinsert itself in its side guides when the curtain is accidentally hit. The absence of rigid elements in the curtain and its soft bottom edge makes the DYNACO Power M2 intrinsically safe.

## High speed operation:

Up to 2,4 m/s depending on the size

## Patented "Push Pull" technology:

Unique door drive system eliminates the need for weighted bottom bars or tension systems.

## Excellent sealing and wind resistance

Patented side frame assembly provides virtually perfect seal while eliminating blade and brush systems. Class 3 wind resistance under EN 13241-1 standards

## Crash forgiving and 100% selfrepairing without intervention

The curtain reintroduces itself automatically after a crash which reduces maintenance and production down time

## User safety:

The absence of stiffeners combined with a flexible curtain that moulds itself protects users.

The curtain is provided with the "WDD" technology, the Wireless DYNACO Detector at the bottom of the door

## Advanced drive:

Smooth operation and reliability provided by a motor without brake and driven by a frequency inverter and an encoder. Wearable elements are reduced to a minimum.

## Dynalogic control box:

Control box with self-diagnosis is user friendly

Conform to EN13241-1



**DYNACO. THE SAFEST CHOICE**

# Power M2

Outside door  
"PUSH-PULL<sup>PT</sup>" Technology

## EN13241-1 STANDARDS

Standard	Ref.	Test acc.	Results
Water permeability	EN 12425	EN 12489	Classe 2
Wind load	EN 12424	EN 12444	Classe 3*
Wind permeability	EN 12426	EN 12427	Classe 2
Safe openings	EN 12453	EN 12445	Pass
Mechanical resistance	EN 12604	EN 12605	Pass
Unintended movements	EN 12604	EN 12605	Pass
Thermal resistance	EN 12428	EN 12428	58,57W/m <sup>2</sup> K
Performance (cycles):	EN 12604	EN 12605	1 000 000

\* The indicated class for wind resistance applies for maximum dimensions.

For doors up to W 4.000mm x H 5.500mm: Class 4

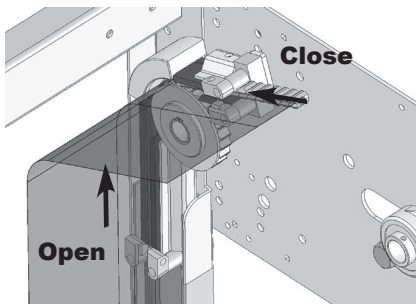
## Characteristics

<b>Max. dimensions</b>	W 5.500 mm x H: 5.500 mm
<b>Max Speed</b> <b>Opening</b> <b>Closing</b>	Up to 2,4 m/sec 1,2 m/sec
<b>Structure</b>	Galvanised steel (U channels): 80 x 40 x 3 mm Option: stainless steel
<b>Drum</b>	Steel - Ø 102 x 2 mm
<b>Side guides</b>	Polyéthylène (PE-UHMW) with springs, Lower 300 mm are reinforced
<b>Motor</b>	4 poles, without brake - power: 0,75 kW (under 12m <sup>2</sup> ) 1,5 kW (above 12m <sup>2</sup> ) Frequency inverter - Protection degree: IP 65 Tension: 3 x 220-240V
<b>Control box</b>	DYNALOGIC provided with: Circuit breaker, general divider, Adjustable timer, Push button for opening and reset and emergency stop Protection degree: IP54

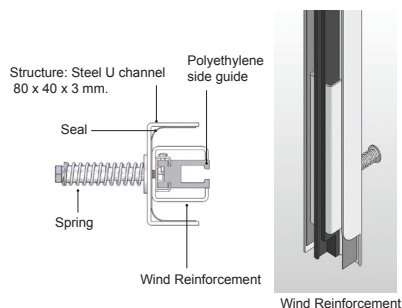
**Standard detectors** Infrared barrier: 300 mm from the floor  
Wireless bottom edge detection system

**Power supply - frequency** Single phase 230V - 16 A (0,75 kw motor) - frequency: 50-60 Hz

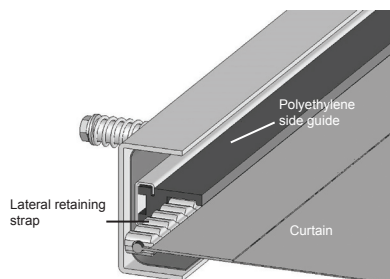
**Available colours** Yellow Orange Red Blue Green Grey White Black  
RAL 1003 RAL 2004 RAL 3000 RAL 5002 RAL 6005 RAL 7035 RAL 9010 RAL 9005



"PUSH-PULL<sup>PT</sup>" Drive technology

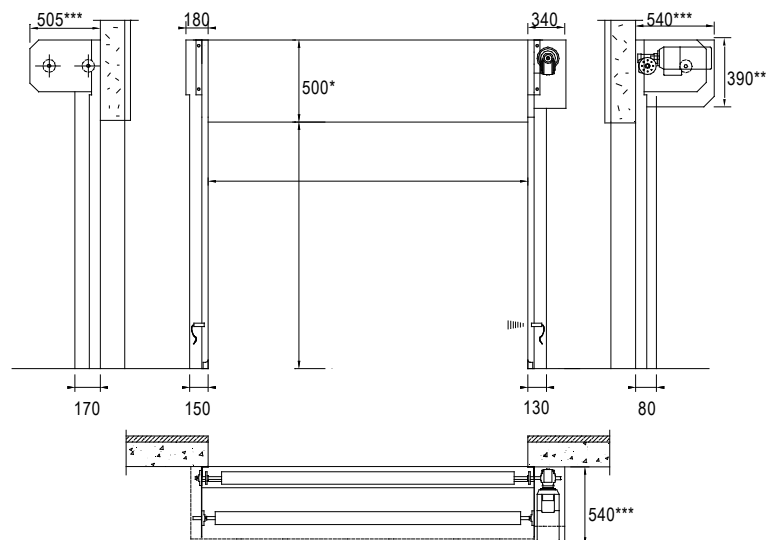


Side Guide view



Lateral retaining strap view

## Measures Power M2



\* 650 if drum hood and H > 4000

\*\* 600 if drum hood and H > 4000

\*\*\* 650 if drum hood and H > 4000

All indicated dimensions are net: the space necessary for mounting and maintenance has to be provided. Reduced dimensions: upon request



## DYNACO® Europe NV

Waverstraat 21

Tel. ++32 (0)53 72 98 98

Fax. ++32 (0)53 72 98 50

B 9130 Moorsel

info@dynaco.eu

http://www.dynacodoor.com